



JWS-34KX SINGLE SPINDLE MOULDER

JWS-34KX...708502KXM...1~230V,50Hz

JWS-34KX...708502KXT...3~400V,50Hz

PARTS LIST

TOOL FRANCE SARL

9 Rue des Pyrénées,

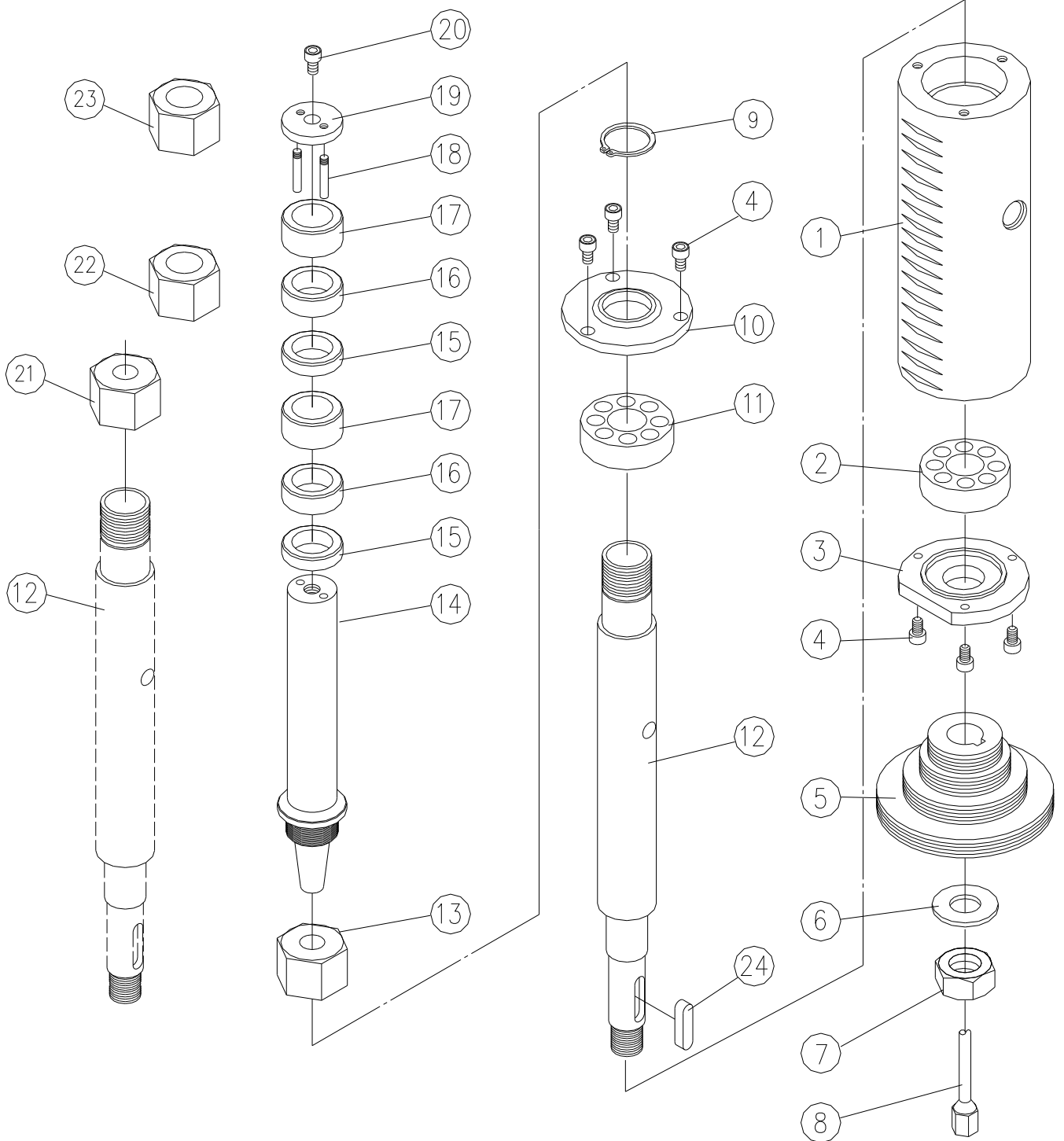
91090 LISSES,

France

www.jettools.com



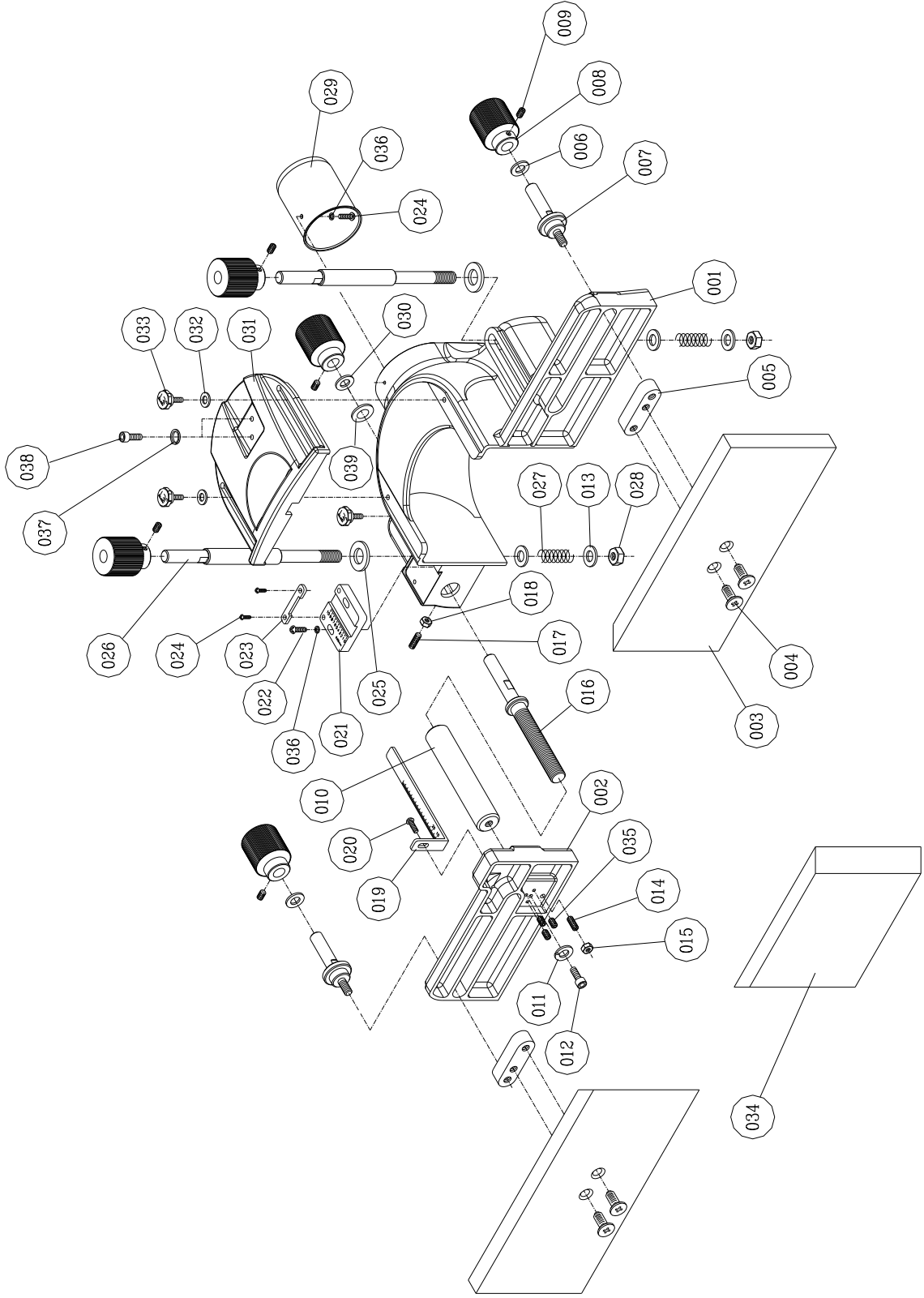
JWS-34KX Spindle Assembly



JWS-34KX Spindle Assembly

Index No.	Part No.	Description	Size	Qty.
1	JWS34-001E	Cartridge		1
2	BB6205-2NK	Ball Baring		1
3	JWS34-042	Lower Shaft Cover		1
4	JWS34-004E	Hex Socket Cap Screw	1/4"-20UNCx5/8	6
5	JWS34-005NE	Arbor Pulley	4 Speed	1
6	JWS34-045	Lock Washer	3/4"	1
7	JWS34-046	Hex Nut	3/4" -16UNF	1
8	JWS34-008NE	Drawbar		1
9	JWS34-200	C-Ring	STW-30	1
10	JWS34-199	Top Shaft Cover		1
11	BB6006-2NK	Ball Baring		1
12	JWS34-012NE	Shaft		1
	10000251	30mm Spindle Arbour Assembly (include #13~ #20)		1
13	JWS34-013E	Special Arbor Nut		1
14	JWS34-014E	Arbor	30mm	1
15	JWS34-015E	Collar	30mmx8mm	2
16	JWS34-016E	Collar	30mmx10mm	2
17	JWS34-017E	Collar	30mmx20mm	2
18	JWS34-018E	Pin		2
19	JWS34-019E	Washer		1
20	JWS34-011	Hex Socket Cap Screw	3/8"-16UNCx1"	1
21	JWS34-021E	Collet	12mm	1
22	JWS34-022E	Collet	8 mm	1
23	708384	Collet (England)	1/2"	1
24	JWS34-024NE	Key	7x7x30	1
25	708383	Collet (Optional)(not shown)	1/4"	1

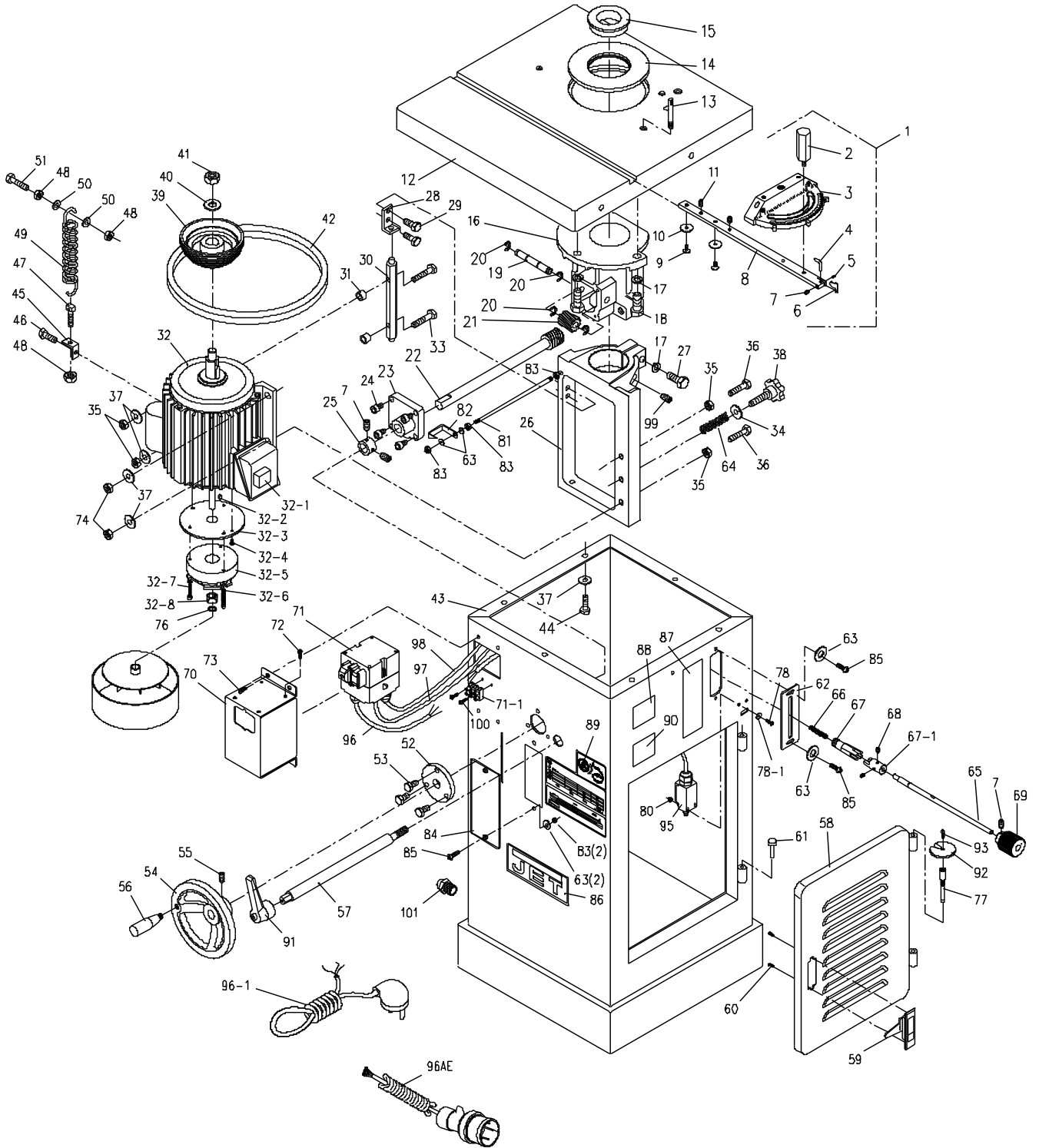
JWS-34KX Fence Assembly



JWS-34KX Fence Assembly

Index No.	Part No.	Description	Size	Qty.
01	JWS34-01E	Fence Body		1
02	JWS34-02E	Left Fence Plate		1
03	JWS34-03E	Wood Fence		2
04	JWS34-04E	CounterSunk Head Cap Screw	M10x1.5Px25L	4
05	JWS34-05E	Slide		2
06	JWS34-06E	Plastic Flat Washer		2
07	JWS34-07E	Leader		2
08	JWS34-08E	Knob		5
09	JWS34-09E	Set Screw	M6x1.0Px8L	5
10	JWS34-10E	Shaft		1
11	JWS34-11E	Lock Washer	M8	1
12	JWS34-12E	Hex Socket Cap Screw	M8x1.25Px16L	1
13	JWS34-13E	Flat Washer	φ 13x φ 25x2T	4
14	JWS34-14E	Set Screw	M6x1.0Px30L	1
15	JWS34-15E	Hex Nut	M6x1.0P	1
16	JWS34-16E	Adjustment Leader		1
17	JWS34-17E	Set Screw	M8x1.25Px30L	1
18	JWS34-18E	Hex Nut	M8x1.25P	1
19	JWS34-19E	Scale		1
20	JWS34-20E	Round Head Screw	M5x0.8Px10L	1
21	JWS34-21E	Scale Bracket		1
22	JWS34-22E	Round Head Screw	M5x0.8Px16L	2
23	JWS34-23E	Fixing Plate		1
24	JWS34-24E	Round Head Screw	M4x0.7Px8L	4
25	JWS34-25E	Flat Washer	φ14xφ32x2.5T	2
26	JWS34-26E	Fixing Load Assy		2
27	JWS34-27E	Spring		2
28	JWS34-28E	Nyon Nut	1/2" -12UNC	2
29	JWS34-29E	Dust Chute		1
30	JWS34-30E	Wave Washer		1
31	JWS34-31E	Safety Guard Holder		1
32	JWS34-032E	Flat Washer	φ6.5xφ19x2T	2
33	JWS34-33E	Knob		3
34	JWS34-34E	Wood Plate		1
35	JWS34-35E	Set Screw	M6x1.0P12L	3
36	JWS34-36E	Flat Washer	φ 6x φ 12x1T	4
37	TS-130205	Lock Washer	1/4"	2
38	TS-1503041	Hex Socket Cap Screw	M6 x 16L	2
39	JWS34-39E	Flat Washer	φ 13x28x3T	1
	JWS34KX-FCA	Fence Completely Assembly (Included #1~#39)		1

JWS-34KX Base Assembly



JWS-34KX Base Assembly

Index No.	Part No.	Description	Size	Qty.
01	JWS34-001MGE	Miter Gauge Assembly(Includes #2~ #11)		1
02	JWS34-077	Handle		1
03	JWS34-078	Miter Gauge Body		1
04	JWS34-080	Pointer	M10x1.5Px25L	1
05	JWS34-081	Roll Pin		1
06	JWS34-006	Stop Plate		1
07	JWS34-102	Set Screw	1/4-20UNCx1/4	4
08	JWS34-008E	Guide Bar		1
09	JWS34-009E	Flat Head Screw	1/4-20UNCx1/4	2
10	JWS34-010E	Special Washer		2
11	JWS34-011E	Set Screw	5/16-20UNCx5/16	2
12	JWS34-012E	Working Table		1
13	JWS34-085	Starting Pin		1
14	JWS34-14TIE	Table Insert	175(OD),110(ID)	1
15	JWS34-15TIE	Table Insert	118(OD),65(ID)	1
16	JWS34-16SHE	Spindle Houshing		1
17	JWS34-112	Lock Washer	13.3x21x2.6	4
18	JWS34-106	Hex Head Bolt	1/2-12NCx1-1/2	3
19	JWS34-095	Shaft		1
20	JWS34-096	E-Ring	ETW-10	4
21	JWS34-097	Helical Gear		1
22	JWS34-098	Worm		1
23	JWS34-099	Worm Gear Houshing		1
24	JWS34-100	Hex Socket Cap Screw	1/4-20NCx3/4	4
25	JWS34-101	Toggle		1
26	JWS34-108	Motor Bracket		1
27	JWS34-106	Hex Head Bolt	1/2-12NCx2	1
28	JWS34-132	Bracket		1
29	JWS34-133	Hex Head Bolt	3/8-16NCx3/4	2
30	JWS34-138	Truss Rod		1
31	JWS34-139	Spacer Washer	3/8	2
32	JWS34-32NE	Motor	2HP, 1ph, 230V	1
32	JWS34-32NAE	Motor	3HP, 3ph, 400V	1
	JWS34-RCE	Running Capacitor (not show)	40 μ f,500V	1
	JWS34-CCE	Capacitor Cover		1
	JWS34-FAN	Fan		1
	JWS34-MFC	Motor Fan Cover		1
32-1	JWS34-RE	Rectifer		1
32-2	JWS34-KE	Key	4 x 4 10L	1
32-3	JWS34-PE	Plate		1
32-4	TS-2246122	Socket Button Screw	M6 x 1/2	2
32-5	JWS34-BME	Brake Magnet	2HP, 1ph, 230V	1
	JWS34-BMAE	Brake Magnet	3HP, 3ph, 400V	1
32-6	TS-2361051	Lock Washer	M5	3
32-7	TS-2205301	Hex Cap Screw	M5x0.8px30	3
32-8	JWS34-BE	Block		1
33	JWS34-111	Hex Head Bolt	3/8-16NCx2	2
34	JWS34-134NE	Flat Washer	10x20x2	1
35	JWS34-140	Hex Nut	3/8-16NC	4
36	JWS34-110	Hex Head Bolt	3/8-16NCx2-1/2	2
37	JWS34-135	Flat Washer	3/8x23x2	10
38	JWS34-109	Knob	3/8-16NCx2-1/2	1

JWS-34KX Base Assembly

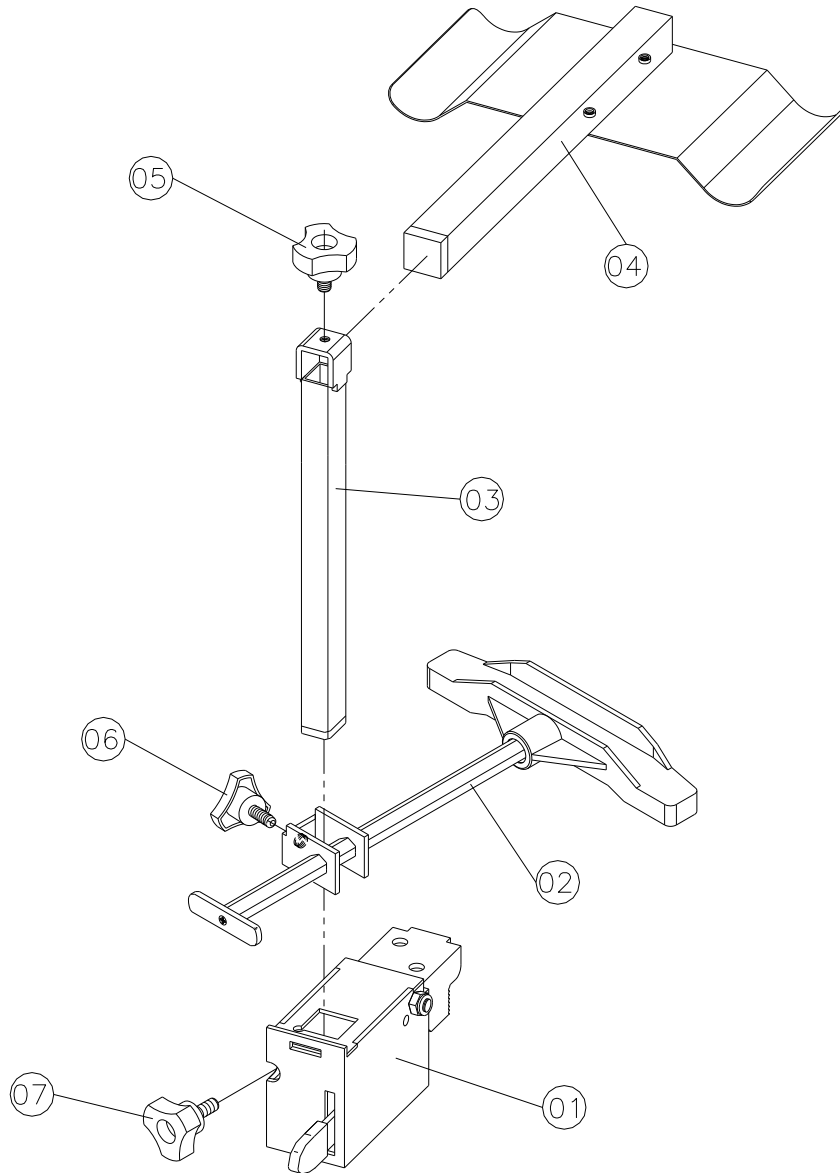
Index No.	Part No.	Description	Size	Qty.
39	JWS34-121E	Motor Pulley	4 Speed	1
40	JWS34-119	Flat Washer	16x33x3	1
41	JWS34-118	Hex Nut	5/8-18UNF	1
42	JWS34-042E	Poly V-Belt	230J	1
43	JWS34-043E	Base		1
44	JWS34-093	Hex Head Bolt	3/8-16NCx1	6
45	JWS34-130	Bracket		1
46	JWS34-129	Hex Head Bolt	5/16-18NCx1/2	1
47	JWS34-128	Special Screw	5/16-18NCx1-1/2	1
48	JWS34-126	Hex Nut	5/16x18NC	3
49	JWS34-127	Spring		1
50	JWS34-124	Flat Washer	5/16x23x2	2
51	JWS34-123	Hex Head Bolt	5/16-18NCx3	1
52	JWS34-178	Flange		1
53	JWS34-177	Hex Head Bolt	5/16-18NCx3/4	3
54	JWS34-54E	Hand Wheel		1
55	TS-0270051	Set Screw	5/16-18NCx1/2	2
56	JWS34-163	Handle	3/8-16NC	1
57	JWS34-161	Handle Clamping	3/4-16NF	1
58	JWS34-58	Safety Door		1
59	JWS34-59E	Handle Locking Plate		1
60	JWS34-60E	Round Head Screw	M3	2
61	JWS34-158	Door Bolt		1
62	JWS34-151	Plate		1
63	JWS34-63E	Flat Washer	1/4x13x0.8	6
64	JWS34-164NE	Spring		1
65	JWS34-143	Locking Rod		1
66	JWS34-144	Spring		1
67	JWS34-145	Connector		1
67-1	JWS34-145A	Lock Mandrel		1
68	TS-1522041	Set Screw	M5x1.2L	2
69	JWS34-69E	Knob		1
70	JWS34-70E	Control Cover Assy		1
71	JWS34-107NE	Switch Kedu, complete switchbox	230/50/1	1
	JWS34-107NAE	Switch Kedu, complete switchbox	400/50/3	1
71-1	JWS34-CB	Connector Bracket	230/50/1 Only	1
72	TS-081C062	Machine Screw	#10-24 x1/2	4
73	JWS34-73E	Round Head Screw	5/16-18NCx3/8L	4
74	JWS34-74E	Nylon Nut	3/8x16UNC	2
76	JWS34-76E	C-Ring	STW-14	1
77	JWS34-77E	Special Door Bolt		1
78	JWS34-78E	Round Head Screw	M4x0.7Px30L	2
78-1	TS-1550031	Flat Washer	M5	2
79	JWS34-79S	Stripe (not shown)		1
80	JWS34-80E	Hex Nut	M4x0.7P	2
81	JWS34-81E	Pointer Leader		1
82	JWS34-82E	Pointer		1
83	TS-0561011	Hex Nut	1/4-20NC	5
84	JWS34-84E	See Thru Plate		1
85	JWS34-85E	Round Head Screw	1/4-20NCx5/8L	2
86	JWS34-184	JET Label		1
87	JWS34-185	Label		1
88	JWS34-88E	I.D Label		1

JWS-34KX Base Assembly

Index No.	Part No.	Description	Size	Qty.
89	JWS34-89NE	Instruction Label	4 Speed	1
90	JWS34-90E	Motor Label		1
91	JWS34-91E	Handle		1
92	JWS34-92E	Limit Switch Plate		1
93	JWS34-93E	Special Door Bolt		1
95	JWS34-95E	Limit Switch		1
96	JWS34-96E	Power Cord (Switch to connector) (Short)	H05VVF3Gx1.0mm ²	1
96-1	JWS34-96-1E	Power Cord (w/Plug to connector)	H05VVF3Gx1.0mm ²	1
	JWS34-96AE	Power Cord (w/Plug to switch)	H05VVF4Gx1.5mm ²	1
97	JWS34-97E	Switch Cord (Switch to limited switch)		1
98	JWS34-98E	Motor Cord (Motor to switch)	1ph, 230V	1
	JWS34-98AE	Motor Cord (Motor to switch)	3ph, 400V	1
99	TS-0270091	Socket Set Screw	5/16 x 1	1
100	TS-2244162	Button Screw	M4x0.7px15	2
101	JWS34-100E	Strain Relief	PG13.5	1

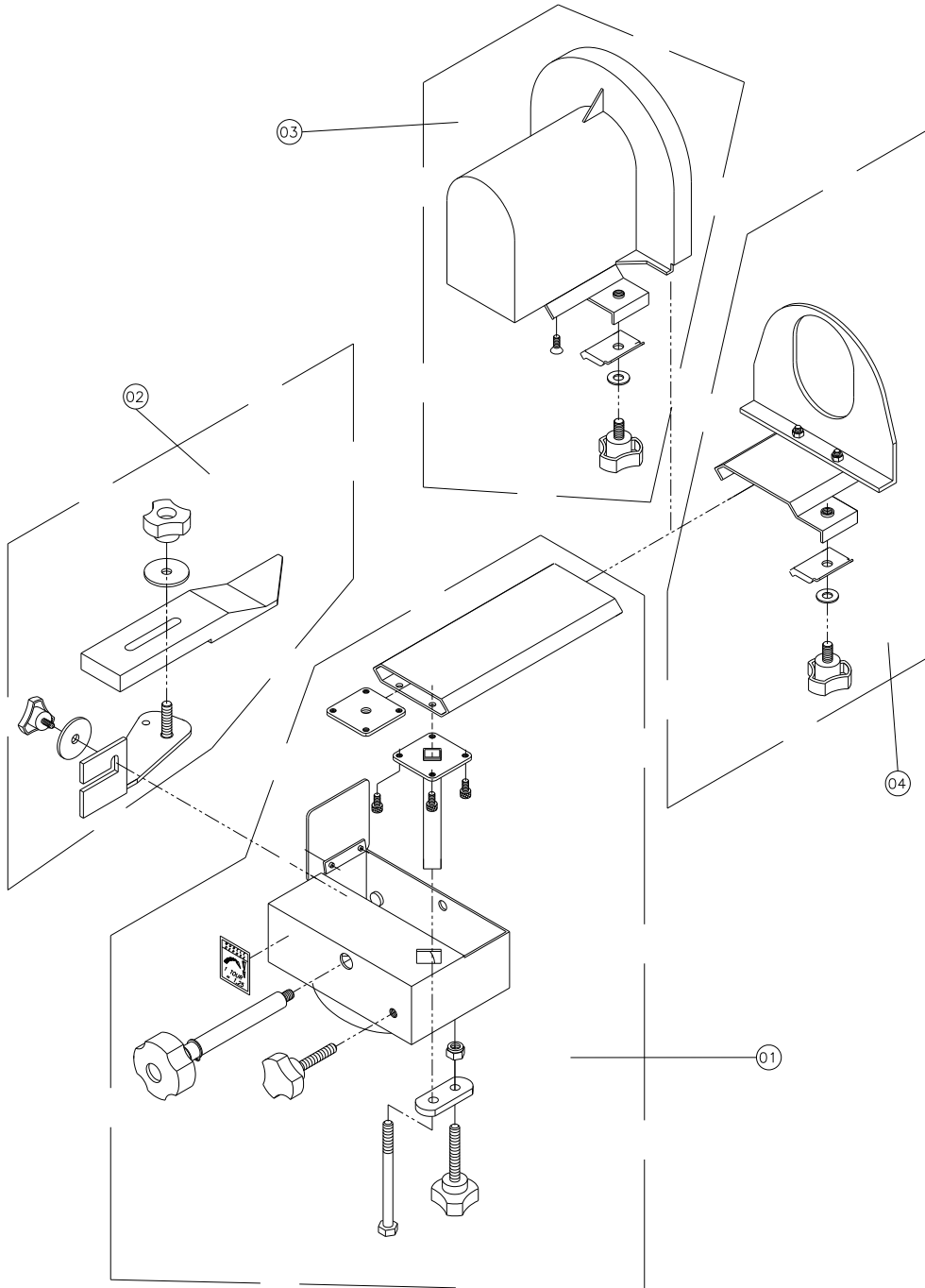
JWS-34KX Fence Guard Assembly

Index No.	Part No.	Description	Size	Qty.
.....	JWS-34LXFGA.....	Fence Guard Assembly.....		1
1	JWS-34LX 201	Bracket.....		1
2	JWS-34LX 202	Guide Bar ass'y		1
3	JWS-34LX 203	Guide Bar ass'y		1
4	JWS-34LX 204	Fence Plate ass'y		1
5	JWS-34LX 205	Knob from F3		1
6	JWS-34LX 206	Knob from F2		1
7	JWS-34LX 207	Knob from F1		1



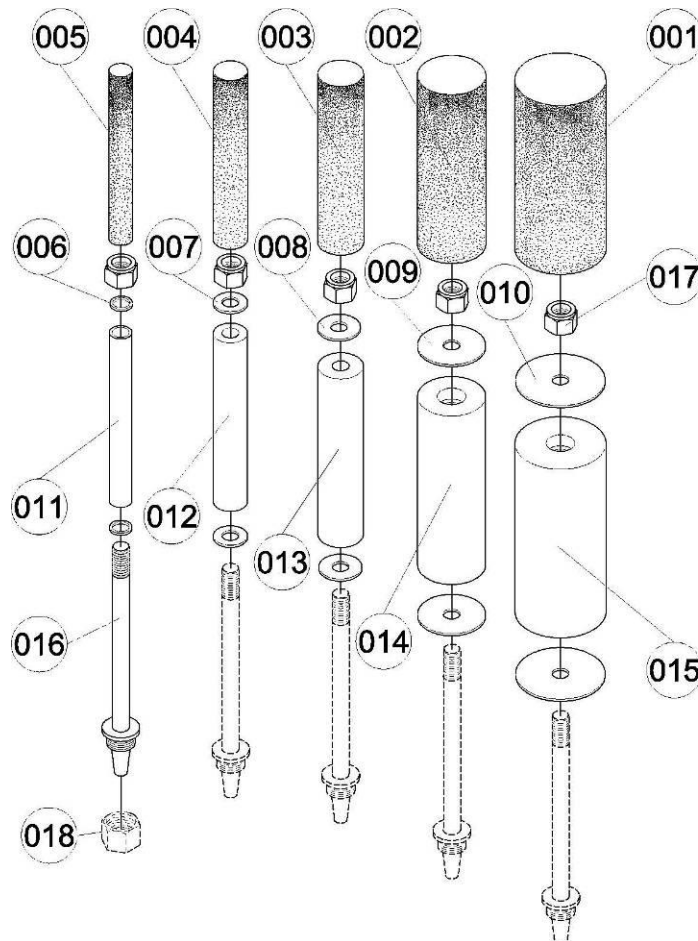
JWS-34KX Fence Guard Assembly

Index No.	Part No.	Description	Size	Qty.
	JWS-34LXCGA	Curved Guard Assembly		1
1	JWS-34LX 301	Dust Bracket ass'y		1
2	JWS-34LX 302	Safety Shield Mount ass'y		1
3	JWS-34LX 303	See through Guard		1
4	JWS-34LX 304	Guide Plate ass'y		1



JWS-34KX Sander Spindle (Optional)

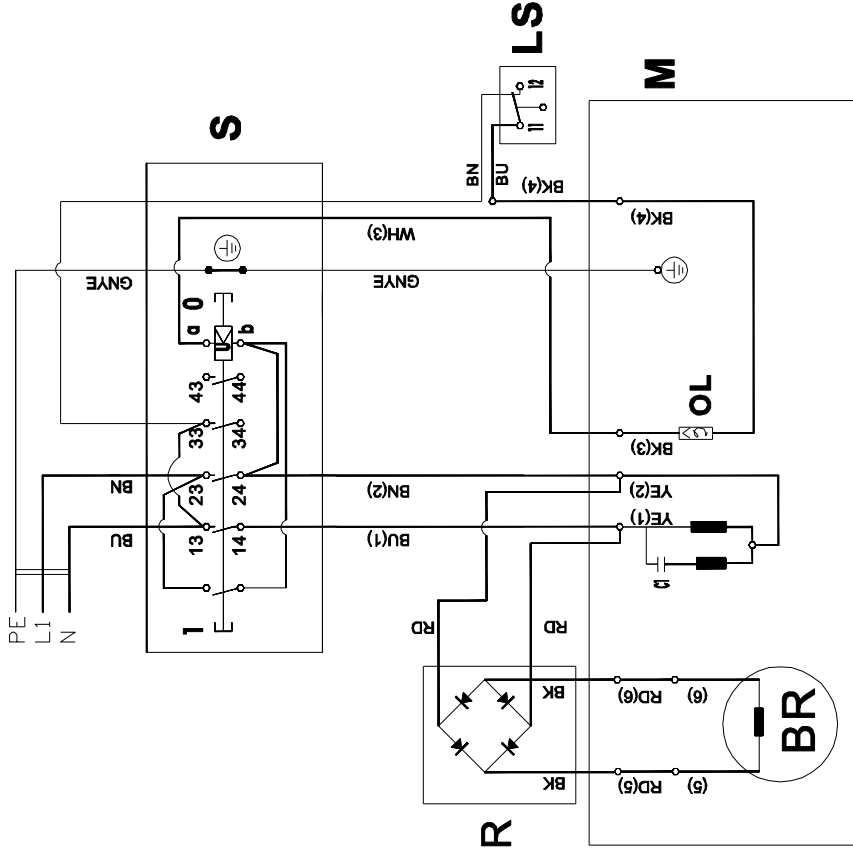
Index No.	Part No.	Description	Size	Qty
1	10000252	Sander Spindle Assembly		1
1	JWS34LX-401	Abrasive Roll(100 grit)	4" × 230L	1
2	JWS34LX-402	Abrasive Roll(100 grit)	3" × 230L	1
3	JWS34LX-403	Abrasive Roll(100 grit)	2" × 230L	1
4	JWS34LX-404	Abrasive Roll(100 grit)	1-1/2" × 230L	1
5	JWS34LX-405	Abrasive Roll(100 grit)	1" × 230L	1
6	JWS34LX-406	Flat Washer	ψ25 × ψ19.1 × 3t	2
7	JWS34LX-407	Flat Washer	ψ37.9	2
8	JWS34LX-408	Flat Washer	ψ48	2
9	JWS34LX-409	Flat Washer	ψ76	2
10	JWS34LX-410	Flat Washer	ψ100	2
11	JWS34LX-411	Rubber Wheel	1" × 230L	1
12	JWS34LX-412	Rubber Wheel	1-1/2" × 230L	1
13	JWS34LX-413	Rubber Wheel	2" × 230L	1
14	JWS34LX-414	Rubber Wheel	3" × 230L	1
15	JWS34LX-415	Rubber Wheel	4" × 230L	1
16	JWS34LX-416	Sander Spindle	3/4"-16UNF	1
17	JWS34LX-417	Nylon Nut	3/4"-16UNF	1
18	JWS34-013E	Special Arbor Nut		1



JWS-34KX...708502KXM... 1~230V,50Hz

	colour of strands	Litzenfarben	couleur des cordons
BK	black	schwarz	noir
WH	white	weiß	blanc
BU	blue	blau	bleu
YE	yellow	gelb	jaune
RD	red	rot	rouge
BN	brown	braun	brun
GY	grey	grau	gris
GNYE	green-yellow	grün-gelb	vert-jaune
OG	orange	orange	orange
VT	violet	violett	violet

	meaning of symbol	Bedeutung der Zeichen	interprétation
M	motor	Motor	moteur
S	switch	Schalter	interrupteur
C	condenser	Kondensator	condensateur
R	rectifier	Gleichrichter	rectifier
BR	motor break	Motorbremse	frein de moteur
RS	reversing switch	Drehrichtungsschalter	commu. droite/gauche
CS	centrifugal switch	Fliehkraftschalter	déclencheur centrifuge
OL	overload cut-off	Überlastschutzschalter	déclencheur surcharge
LS	limit switch	Positionsschalter	micro



JWS-34KX.....708502KXT3~400V, 50Hz

	colour of strands	Litzenfarben	couleur des cordons
BK	black	schwarz	noir
WH	white	weiß	blanc
BU	blue	blau	bleu
YE	yellow	gelb	jaune
RD	red	rot	rouge
BN	brown	braun	brun
GY	grey	grau	gris
GNYE	green-yellow	grün-gelb	vert-jaune
OG	orange	orange	orange
VT	violet	violett	violet

	meaning of symbol	Bedeutung der Zeichen	interprétation
M	motor	Motor	moteur
S	switch	Schalter	interrupteur
C	condenser	Kondensator	condensateur
R	rectifier	Gleichrichter	rectifier
BR	motor break	Motorbremse	frein de moteur
RS	reversing switch	Drehrichtungsschalter	commu. droite/gauche
CS	centrifugal switch	Fliehkraftschalter	déclencheur centrifuge
OL	overload cut-off	Überlastschutzschalter	déclencheur surcharge
LS	limit switch	Positionsendschalter	micro

