



JSG-31A	COMBI DISC/BELT SANDER
----------------	-------------------------------

JSG-31A-M.....JSG-31A-M....1~230V, 50Hz

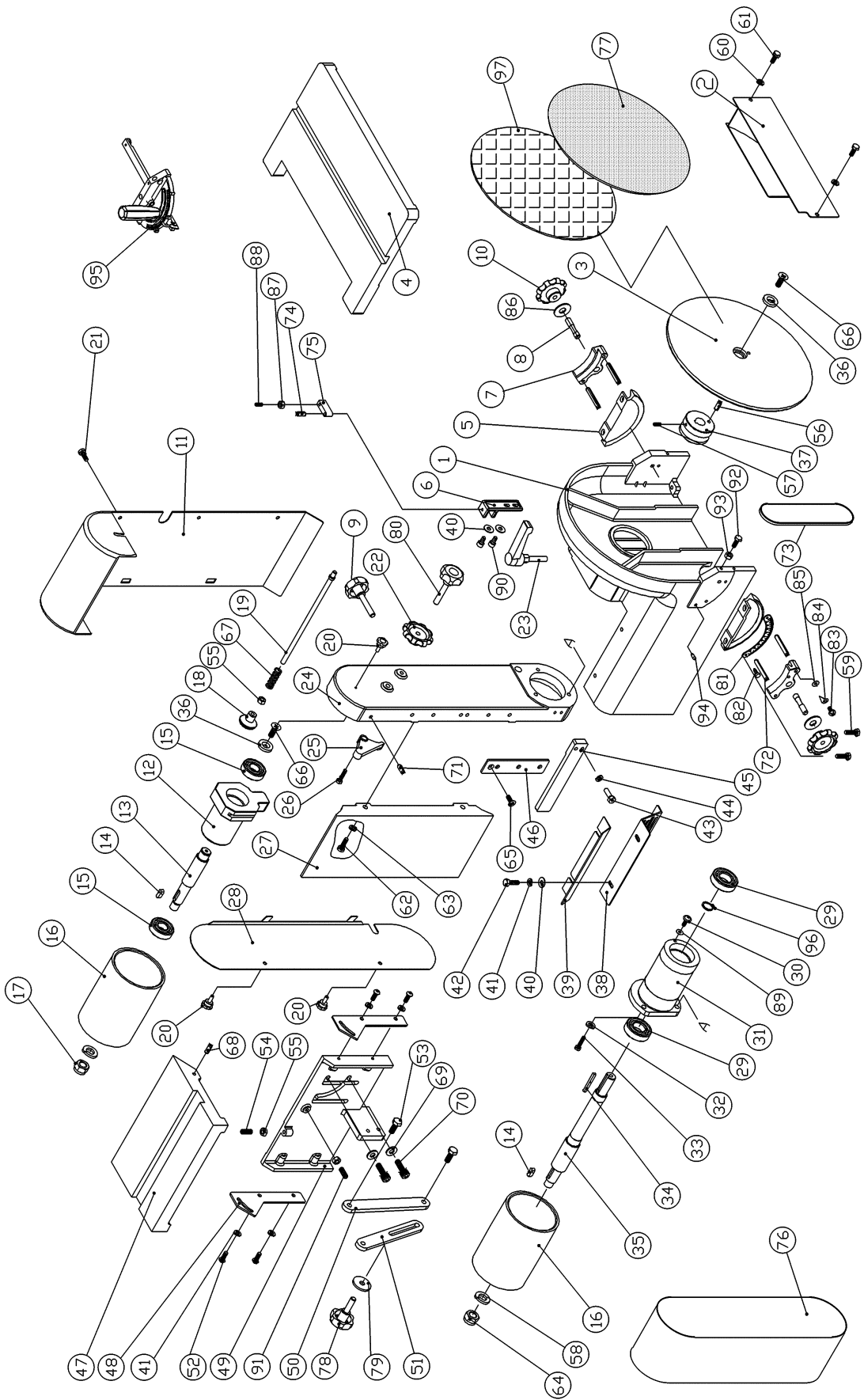
PARTS LIST

JPW (Tool) AG
Tämperlistr. 5
CH-8117 Fällanden
Switzerland
Phone +41 44 806 47 48
Fax +41 44 806 47 58
www.jettools.com



PJSG-31A-M 2017-02

Body Assembly (Model JSG-31A-M Sander)

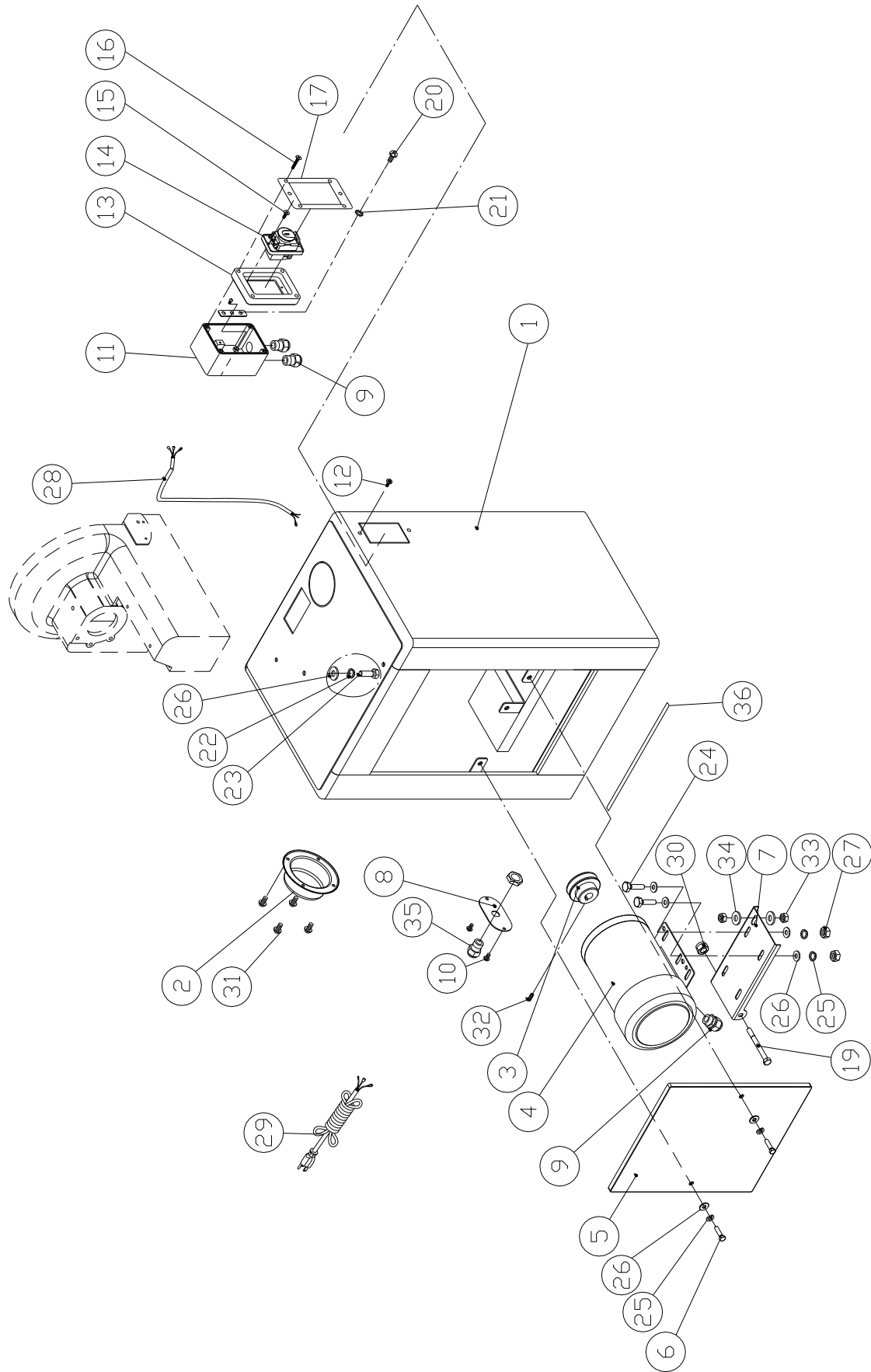


PARTS LIST: **Body Assembly** (Model JSG-31A-M Sander)

No.	Part No.	Description	Quantity
1	31A-1	Base	1
2	31A-2	Dust Chute (Disc).....	1
3	31A-3	Sanding Disc	1
4	31A-4	Disc Table	1
5	31A-5	Trunnion	2
6	31A-6	Table Holder.....	1
7	31A-7	Trunnion Holder	2
8	31A-8	Set Screw, M10 x 55.....	2
9	31A-9	Lock Knob, M10 x 57	1
10	31A-10	Ring Spanner	2
11	31A-11	Sanding Belt Guard.....	1
12	31A-12	Idler Bearing Housing.....	1
13	31A-13	Shaft.....	1
14	31A-14	Key, 6 x 6 x 25	2
15	31A-15	Bearing, 6204ZZ	2
16	31A-16	Idler Pulley (Aluminum Drum)	2
17	31A-17	Hex Nut, M16 x 2 (L.H. Threads)	1
18	31A-18	Knob.....	1
19	31A-19	Stop Shaft` (Index Pin).....	1
20	31A-20	Bolt Knob, M6 x 12.....	3
21	31A-21	Pan Head Screw w/ Flange, M6 x 12.....	3
22	31A-22	Ring Spanner (Locking Handle), M10 x 1.25.....	1
23	31A-23	Lock Knob, M10 x 45	1
24	31A-24	Bracket (Side Plate Casting).....	1
25	31A-25	Adjustable Lock (Rocker Arm)	1
26	31A-26	Bolt	1
27	31A-27	Sanding Belt Table (Platen)	1
28	31A-28	Side Plate	1
29	31A-29	Bearing 6205ZZ	2
30	31A-30	Pan Head Screw w/ Flange, M5 x 8.....	1
31	31A-31	Bearing Housing.....	1
32	TS-1551061	Lock Washer, 8mm	3
33	TS-1504051	Socket Head Cap Screw, M8 x 25	3
34	31A-32	Key, 6 x 6 x 40	1
35	31A-33	Shaft.....	1
36	31A-34	Powder metallurgy Washer	2
37	31A-35	Pulley.....	1
38	31A-36	Belt Guard	1
39	31A-37	Guard	1
40	TS-1550041	Flat Washer, M6 x 16	4
41	TS-1551041	Lock Washer, M6	6
42	31A-38	Hex Head Bolt, M6 x 12	2
43	31A-39	Hex Head Bolt, M6 x 20	2
44	TS-1551041	Lock Washer, M6	2
45	31A-40	Work Rest	1
46	31A-41	Pivot Plate	1
47	31A-42	Fence Table	1
48	31A-43	Fence End Bracket.....	2
49	31A-44	Fence Base	1
50	31A-45	Long Link.....	1
51	31A-46	Short Link	1
52	31A-47	Hex Socket Screw, M6 x 12	4
53	31A-48	Bolt	3
54	31A-49	Set Screw, M8 x 35	1
55	TS-1540061	Hex Nut, M8	2

No.	Part No.	Description	Quantity
56	31A-50	Spring Pin, 6mm dia x 20.....	1
57	31A-51	Set Screw, M6 x 8.....	1
58	31A-52	Lock Washer, 16mm.....	2
59	31A-53	Hex Head Flange Bolt, M6 x 20.....	4
60	31A-54	Lock Washer.....	2
61	31A-55	Hex Head Bolt, M6 x 8.....	2
62	TS-1504041	Socket Head Cap Screw, M8 x 20.....	2
63	TS-1551051	Lock Washer, 8mm.....	2
64	31A-56	Hex Nut, M16 x 2 (L.H. Threads).....	1
65	31A-57	Countersunk Head Bolt, M6 x 16.....	1
66	31A-58	Countersunk Head Bolt, M8 x 20.....	2
67	31A-59	Spring.....	1
68	31A-60	Pin, 6mm dia x 16.....	2
69	WF102830	Flat Washer, 10mm x 27 dia.....	2
70	TS-1505031	Socket Head Cap Screw, M10 x 25.....	2
71	31A-61	Spring Pin, 6mm dia x 24.....	2
72	31A-62	Spring Pin, 6mm dia x 45.....	4
73	31A-63	V-belt, A50.....	1
74	31A-64	Lock Washer, 5mm x 30.....	1
75	31A-65	Locating Block.....	1
76	31A-66	Sanding Belt.....	1
77	31A-67	Sanding Paper.....	1
78	31A-68	Lock Knob, 8mm x 20.....	1
79	31A-69	Flat Washer, 8mm x 30 dia.....	1
80	31A-70	Lock Knob, M10 x 1.25.....	1
81	31A-71	Tilting Scale.....	1
82	31A-72	Rivet, 2mm dia. x 5.....	2
83	31A-73	Pan Head Bolt, M6 x 8.....	1
84	31A-74	Pointer.....	1
85	TS-1550041	Flat Washer, 6mm x 13.....	1
86	TS-1550071	Flat Washer, 10mm x 20 dia.....	2
87	TS-1540041	Hex Nut, M6.....	1
88	TS-1523071	Socket Set Screw, M6 x 25.....	1
89	TS-1550031	Flat Washer, 5mm x 12.....	1
90	TS-1503051	Socket Head Cap Screw, M6 x 20.....	2
91	TS-1524051	Socket Set Screw, M8 x 20.....	1
92	31A-75	Hex Head Bolt, M6 x 25.....	1
93	TS-1540041	Hex Nut, M6.....	1
94	31A-76	Pin.....	1
95	31A-77	Mitre Gauge.....	1
96	RS250000	Retaining Ring, S25.....	1
97	612552	Magic Type, 12".....	1
98	LM000561	Warning Label - Model JSG-31A Sander (not shown).....	1
99	LM000615	Running Label - Model JSG-31A Sander (not shown).....	1

Stand Assembly (Model BD31A Sander)



PARTS LIST: **Stand Assembly** (Model JSG-31A-M Sander)

No.	Part No.	Description	Quantity
1	31A-78E	Stand.....	1
2	31A-179	Dust Outlet	1
3	31A-80E	Motor Pulley	1
4	MA612P01E	Motor, 1.5 HP, 1 Ph, 230V	1
	MA612P01ESC	Starting Capacitor (SK 200MFD/125VAC) (not shown)	1
	MA612P01ERC	Running Capacitor (SK45µF/250V) (not shown)	1
5	31A-82E	Door	1
6	SH080500	Hex Head Bolt, M8 x25	2
7	31A-84	Motor Plank	1
8	31A-85	Plate	1
9	31A-86E	Strain Relief.....	3
10	TS-1533042	Pan Head Screw, M5 x 12	2
11	31A-87E	Switch Box	1
12	31A-91	Pan Head Bolt w/Flange, M5 x8	2
13	170237	CE Switch Box Upper Cover.....	1
14	170239	Switch	1
15	ST040204	Tapping Screw, M4 x10	2
16	ST040504	Tapping Screw, M4 x25	4
17	612532	Switch Plate	1
18		
19	31A-219	Hex Head Screw, M10 x 160	1
20	SP550200	Pan Head Bolt, 3/16" x5/16" –24UNC.....	2
21	WE050000	Start Washer, M5	2
22	TS-1551061	Lock Washer, 8mm	4
23	31A-223	Hex Head Screw, M8 x 20	4
24	31A-95	Hex Head Screw, M8 x 25	4
25	TS-1551061	Lock Washer, 8mm	6
26	TS-1550061	Flat Washer, 8mm x 18.....	14
27	TS-1540061	Hex Nut, M8	4
28	IM612002	Motor Cord,1.0x3C.....	1
29	IC612002	Power Cord,1.0x3C.....	1
30	31A-99	Hex Nut, M10	1
31	31A-21	Pan Head Screw w/ Flange, M6 x 12.....	4
32	TS-1523041	Socket Set Screw, M6 x 12.....	1
33	31A-99	Hex Nut, M10	2
34	TS-1550071	Flat Washer, 10mm x 20.....	2
35	709409	Strain Relief,PG-9	1
36	150527	Sponge.....	2

JSG-31A-M.....JSG-31A-M1~230V, 50Hz

	colour of strands	Litzenfarben	couleur des cordons
BK	black	schwarz	noir
WH	white	weiß	blanc
BU	blue	blau	bleu
YE	yellow	gelb	jaune
RD	red	rot	rouge
BN	brown	braun	brun
GY	grey	grau	gris
GNYE	green-yellow	grün-gelb	vert-jaune
OG	orange	orange	orange
VT	violet	violett	violet

	meaning of symbol	Bedeutung der Zeichen	interprétation
M	motor	Motor	moteur
S	switch	Schalter	interrupteur
C	condenser	Kondensator	condensateur
E	electronic unit	Elektronik Einheit	unité électronique
F	fuse	Sicherung	fusible
RS	reversing switch	Drehrichtungsschalter	commu. droite/gauche
CS	centrifugal switch	Fliehkraftschalter	déclencheur centrifuge
OL	overload cut-off	Überlastschuttschalter	déclencheur surcharge
LS	limit switch	Positionsendschalter	micro

